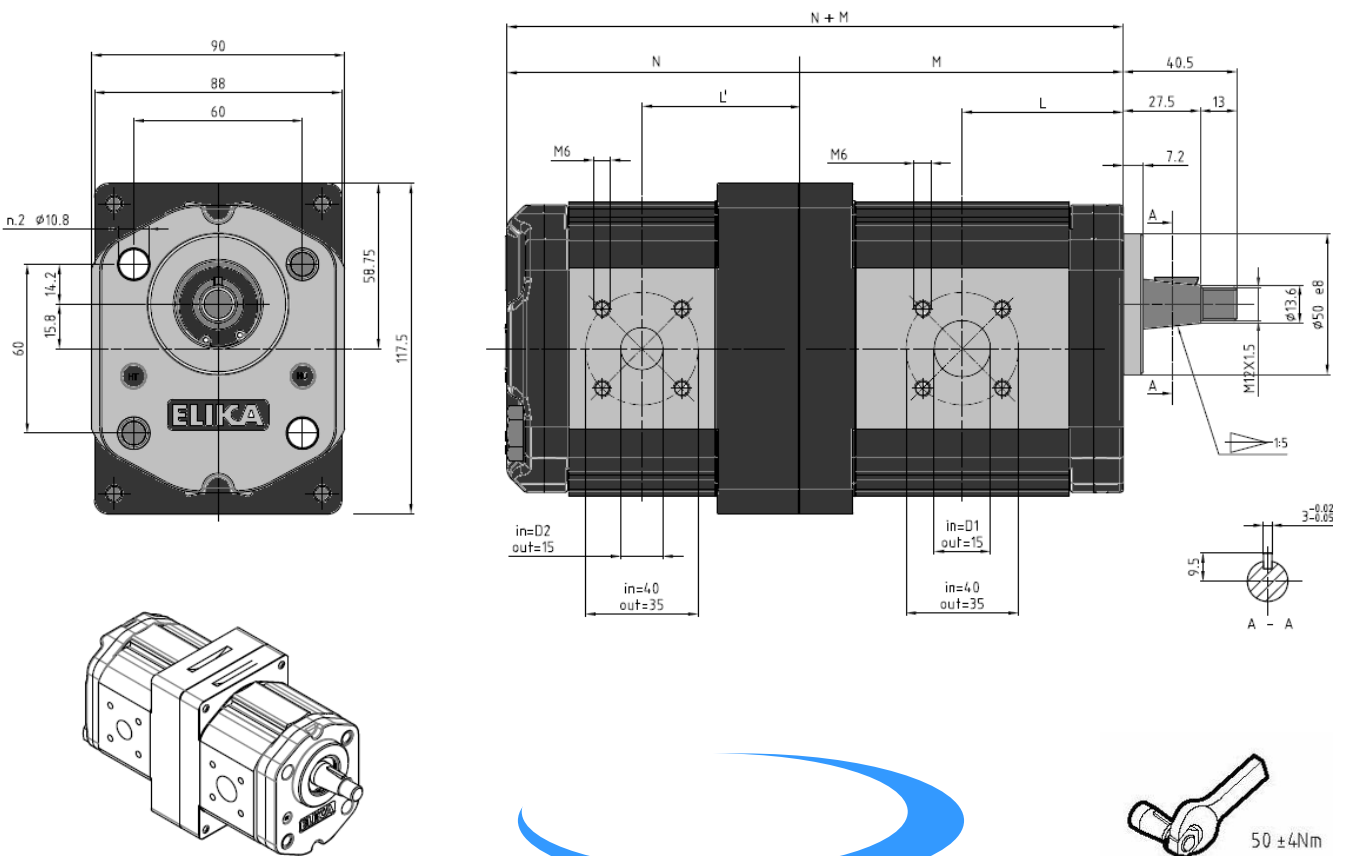


**ELI2BK4**



FRONT STAGE			
Pump Type	Displ. [cm <sup>3</sup> /rev]	Dimensions	
		L [mm]	M [mm]
ELI2-7.0	7.0	45.0	91.0
ELI2-8.2	8.2	46.0	93.0
ELI2-9.6	9.6	47.3	95.5
ELI2-11.4	11.4	48.8	98.5
ELI2-14.0	14.0	51.0	103.0
ELI2-16.1	16.1	52.8	106.5
ELI2-17.8	17.8	54.3	109.5
ELI2-21.0	21.0	57.0	115.0
ELI2-23.7	23.7	59.3	119.5
ELI2-25.7	25.7	61.0	123.0
ELI2-28.0	28.0	63.0	127.0
ELI2-35.0	35.1	69.0	139.0

REAR STAGE			
Pump Type	Displ. [cm <sup>3</sup> /rev]	Dimensions	
		L' [mm]	N [mm]
ELI2-7.0	7.0	61.5	109.5
ELI2-8.2	8.2	62.5	111.5
ELI2-9.6	9.6	63.8	114.0
ELI2-11.4	11.4	65.3	117.0
ELI2-14.0	14.0	67.5	121.5
ELI2-16.1	16.1	69.3	125.0
ELI2-17.8	17.8	70.8	128.0
ELI2-21.0	21.0	73.5	133.5
ELI2-23.7	23.7	75.8	138.0
ELI2-25.7	25.7	77.5	141.5
ELI2-28.0	28.0	79.5	145.5
ELI2-35.0	35.1	85.5	157.5

Accessories supplied with the standard pump: woodruff key (code 522055), M12x1.5 hexagonal nut (code 523016), washer (code 523005). Standard ports: M6 threads depth 13 mm. To mount the pump: n°2 M10 screws with a torque wrench setting fixed at 46±4 Nm. Please strictly follow assembly and use indications given in this catalogue for top performance and longer life of the ELI Marzocchi series. It is also very important to equip the hydraulic system with a proper filtering unit.