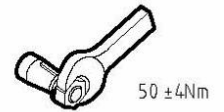
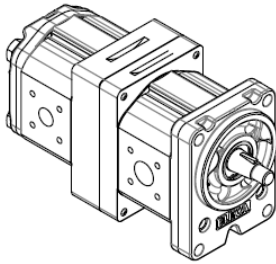
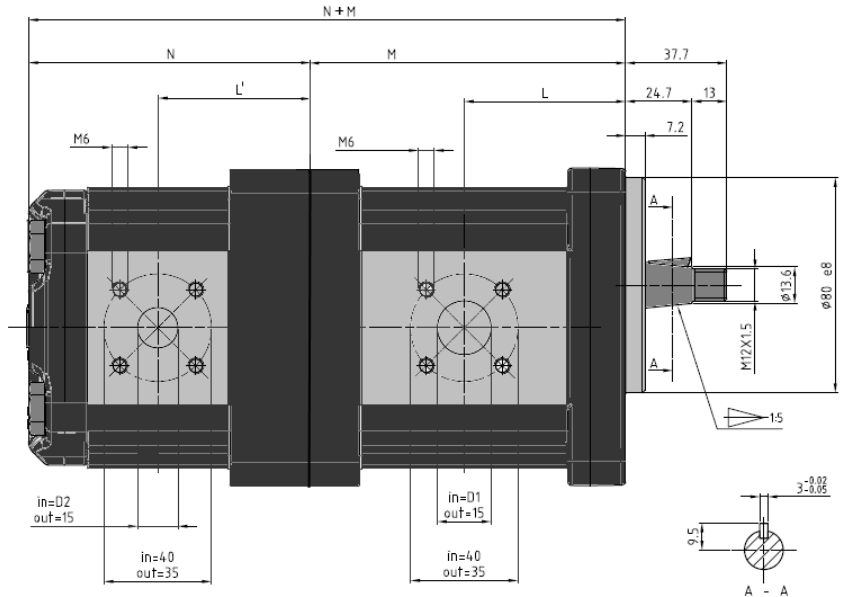
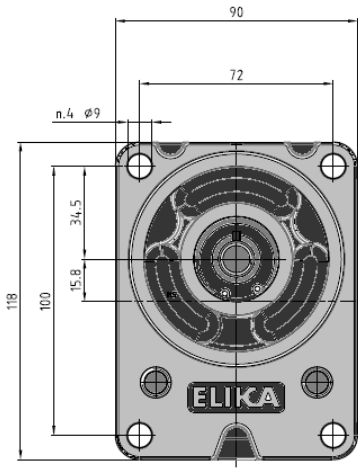


ELI2BK1



| FRONT STAGE | | | |
|-------------|-------------------------------|------------|--------|
| Pump Type | Displ. [cm ³ /rev] | Dimensions | |
| | | L [mm] | M [mm] |
| ELI2-7.0 | 7.0 | 48.0 | 94.0 |
| ELI2-8.2 | 8.2 | 49.0 | 96.0 |
| ELI2-9.6 | 9.6 | 50.3 | 98.5 |
| ELI2-11.4 | 11.4 | 51.8 | 101.5 |
| ELI2-14.0 | 14.0 | 54.0 | 106.0 |
| ELI2-16.1 | 16.1 | 55.8 | 109.5 |
| ELI2-17.8 | 17.8 | 57.3 | 112.5 |
| ELI2-21.0 | 21.0 | 60.0 | 118.0 |
| ELI2-23.7 | 23.7 | 62.3 | 122.5 |
| ELI2-25.7 | 25.7 | 64.0 | 126.0 |
| ELI2-28.0 | 28.0 | 66.0 | 130.0 |
| ELI2-35.0 | 35.1 | 72.0 | 142.0 |

| REAR STAGE | | | |
|------------|-------------------------------|------------|--------|
| Pump Type | Displ. [cm ³ /rev] | Dimensions | |
| | | L' [mm] | N [mm] |
| ELI2-7.0 | 7.0 | 64.5 | 112.5 |
| ELI2-8.2 | 8.2 | 65.5 | 114.5 |
| ELI2-9.6 | 9.6 | 66.8 | 117.0 |
| ELI2-11.4 | 11.4 | 68.3 | 120.0 |
| ELI2-14.0 | 14.0 | 70.5 | 124.5 |
| ELI2-16.1 | 16.1 | 72.3 | 128.0 |
| ELI2-17.8 | 17.8 | 73.8 | 131.0 |
| ELI2-21.0 | 21.0 | 76.5 | 136.5 |
| ELI2-23.7 | 23.7 | 78.8 | 141.0 |
| ELI2-25.7 | 25.7 | 80.5 | 144.5 |
| ELI2-28.0 | 28.0 | 82.5 | 148.5 |
| ELI2-35.0 | 35.1 | 88.5 | 160.5 |

Accessories supplied with the standard pump: woodruff key (code 522055), M12x1.5 hexagonal nut (code 523016), washer (code 523005). Standard ports: M6 threads depth 13 mm. Please strictly follow assembly and use indications given in this catalogue for top performance and longer life of the ELI Marzocchi series. It is also very important to equip the hydraulic system with a proper filtering unit.