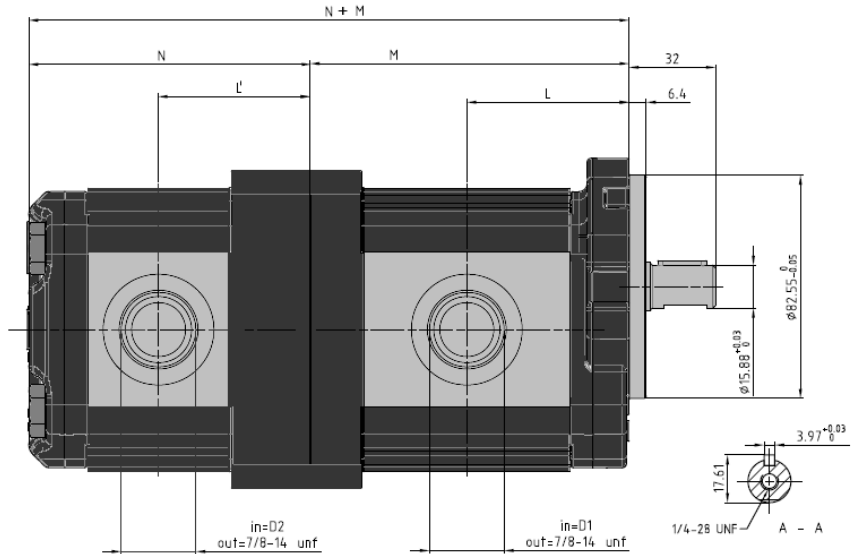
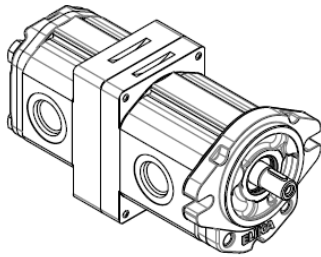
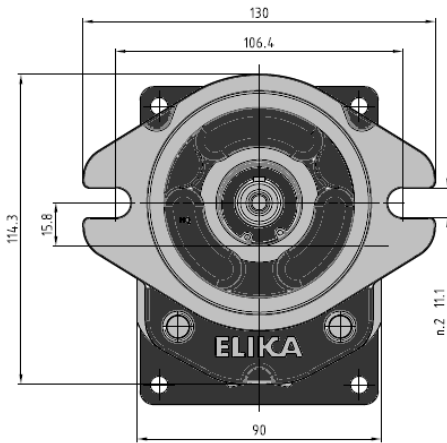


# ELI2A



FRONT STAGE			
Pump Type	Displ. [cm <sup>3</sup> /rev]	Dimensions	
		L [mm]	M [mm]
ELI2-7.0	7.0	48.0	94.0
ELI2-8.2	8.2	49.0	96.0
ELI2-9.6	9.6	50.3	98.5
ELI2-11.4	11.4	51.8	101.5
ELI2-14.0	14.0	54.0	106.0
ELI2-16.1	16.1	55.8	109.5
ELI2-17.8	17.8	57.3	112.5
ELI2-21.0	21.0	60.0	118.0
ELI2-23.7	23.7	62.3	122.5
ELI2-25.7	25.7	64.0	126.0
ELI2-28.0	28.0	66.0	130.0
ELI2-35.0	35.1	72.0	142.0

REAR STAGE			
Pump Type	Displ. [cm <sup>3</sup> /rev]	Dimensions	
		L' [mm]	N [mm]
ELI2-7.0	7.0	64.5	112.5
ELI2-8.2	8.2	65.5	114.5
ELI2-9.6	9.6	66.8	117.0
ELI2-11.4	11.4	68.3	120.0
ELI2-14.0	14.0	70.5	124.5
ELI2-16.1	16.1	72.3	128.0
ELI2-17.8	17.8	73.8	131.0
ELI2-21.0	21.0	76.5	136.5
ELI2-23.7	23.7	78.8	141.0
ELI2-25.7	25.7	80.5	144.5
ELI2-28.0	28.0	82.5	148.5
ELI2-35.0	35.1	88.5	160.5

**\*\* With thread ports a reduction of body fatigue strength may occur if the pump is working at elevated and intermittent pressures.** Accessories supplied with the standard pump: key (code 522067). Mounting flange 82-2 (A) in compliance with SAE J744C. "D" and "d" ports are machined in compliance with threaded port with O-ring seal in truncated housing SAE J1926/1 (ISO 11926-1). Please strictly follow assembly and use indications given in this catalogue for top performance and longer life of the ELI Marzocchi series. It is also very important to equip the hydraulic system with a proper filtering unit.