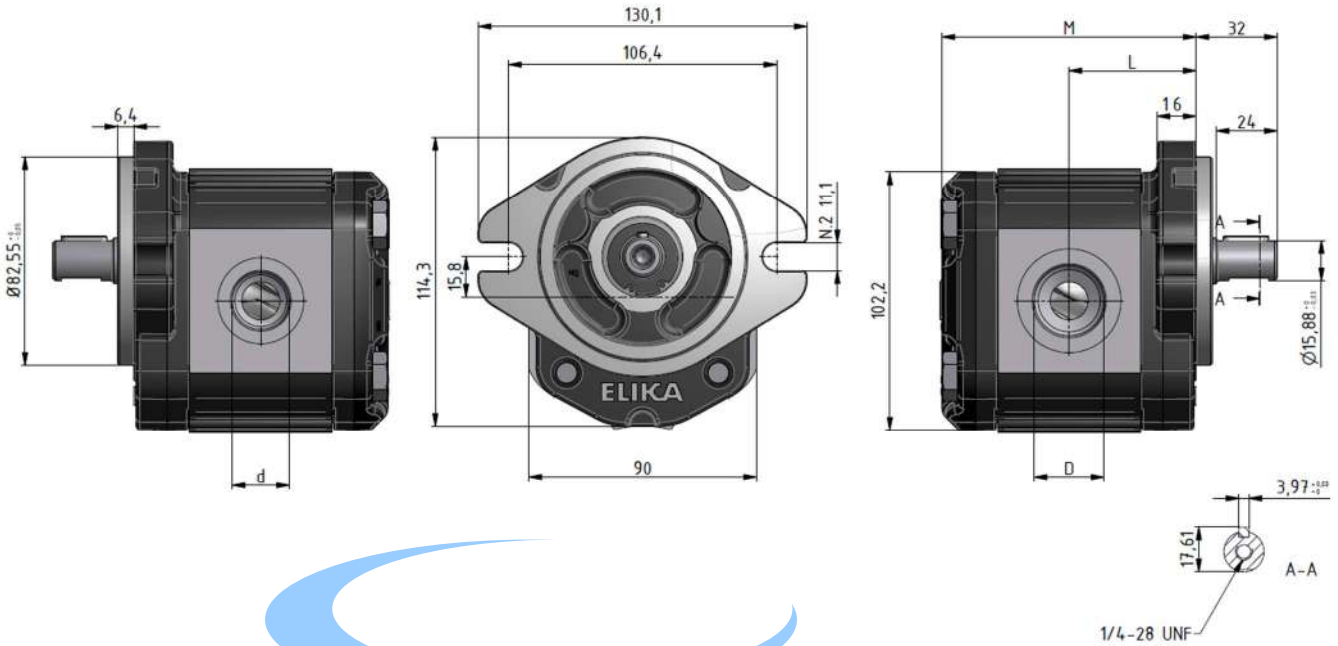


# ELI2A

Outlet

Inlet



Pump Type	Displacement [cm <sup>3</sup> /rev]	Flow at 1500 rpm [l/min]	Operating pressures			Rotation speed		Noise at 1500 rpm *		Dimensions			
			P1 Max cont. [bar]	P2 Max intermittent [bar]	P3 Max peak [bar]	Minimum speed [rpm]	Maximum speed [rpm]	On recirc. [dBA]	at P1 [dBA]	L [mm]	M [mm]	D** [mm]	d** [mm]
ELI2A-D-7.0	7.0	10.5	280	295	310	300	4000	47	51	48.0	96.0	1 1/16-12 UNF	7/8-14 UNF
ELI2A-D-8.2	8.2	12.3	280	295	310	300	4000	47	52	49.0	98.0	1 1/16-12 UNF	7/8-14 UNF
ELI2A-D-9.6	9.6	14.5	280	295	310	300	4000	48	54	50.3	100.5	1 1/16-12 UNF	7/8-14 UNF
ELI2A-D-11.4	11.4	17.1	280	295	310	300	4000	48	55	51.8	103.5	1 1/16-12 UNF	7/8-14 UNF
ELI2A-D-14.0	14.0	21.0	260	275	290	300	4000	49	55	54.0	108.0	1 1/16-12 UNF	7/8-14 UNF
ELI2A-D-16.1	16.1	24.1	260	275	290	300	4000	49	56	55.8	111.5	1 1/16-12 UNF	7/8-14 UNF
ELI2A-D-17.8	17.8	26.7	260	275	290	300	4000	49	57	57.3	114.5	1 1/16-12 UNF	7/8-14 UNF
ELI2A-D-21.0	21.0	31.5	230	245	260	200	3500	49	57	60.0	120.0	1 1/16-12 UNF	7/8-14 UNF
ELI2A-D-23.7	23.7	35.5	230	245	260	200	3200	50	57	62.3	124.5	1 1/16-12 UNF	7/8-14 UNF
ELI2A-D-25.7	25.7	38.6	210	225	240	200	3000	50	57	64.0	128.0	1 1/16-12 UNF	7/8-14 UNF
ELI2A-D-28.0	28.0	42.1	200	215	230	200	2600	50	58	66.0	132.0	1 1/16-12 UNF	7/8-14 UNF
ELI2A-D-35.0	35.1	52.6	150	165	180	200	2200	50	58	72.0	144.0	1 5/16-12 UNF	7/8-14 UNF

\*\* With thread ports a reduction of body fatigue strength may occur if the pump is working at elevated and intermittent pressures. Accessories supplied with the standard pump: key (code 522067). Mounting flange 82-2 (A) in compliance with SAE J744C. "D" and "d" ports are machined in compliance with threaded port with O-ring seal in truncated housing SAE J1926/1 (ISO 11926-1). Please strictly follow assembly and use indications given in this catalogue for top performance and longer life of the ELI-Marzocchi series. It is also very important to equip the hydraulic system with a proper filtering unit.