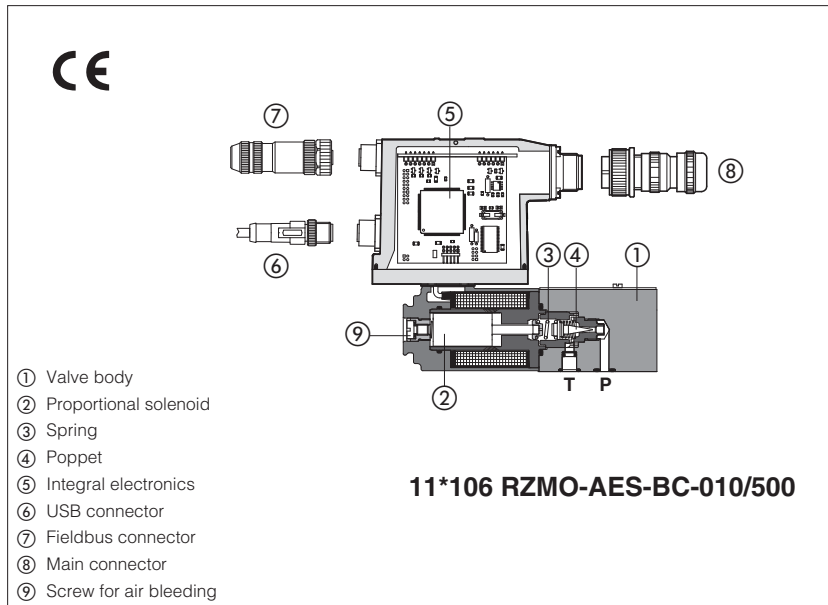


Proportional relief valves type 11*106 RZMO-A* with Pmax 500 bar

direct operated, without integral pressure transducer, ISO 4401 size 06



11*106 RZMO-A*

Poppet type direct operated proportional relief valves for pressure open loop controls with special construction for max regulated pressure 500 bar.

Executions:

- **A** without integral driver, to be coupled with separated driver, see section 2
- **AEB** with basic integral digital electronic driver, analog reference signals and USB port for software functional parameters setting
- **AES** with full integral digital electronic driver and fieldbus interface for functional parameters setting, reference signals and real-time diagnostics

The integral digital electronic driver performs the valve's hydraulic regulation according to the reference signal and assures valve-to-valve interchangeability thanks to the factory presetting

Size: **06** - ISO 4401

Max flow: **3 l/min**

Max pressure: **500 bar**

1 MODEL CODE

11*106	RZMO	-	A	ES	-	BP	-	010	/	500	/	*	/	*
Special code for execution Pmax = 500 bar														Seals material, see sect. 6: - = NBR PE = FKM
Proportional pressure relief valve size 06														
A = without transducer														
Integral digital drivers: - = omit for execution with separated driver, see section 2 EB = basic ES = full														
Fieldbus interfaces - USB port always present (1): NP = Not present BP = PROFIBUS DP BC = CANopen EH = EtherCAT														
Configuration: 010 = regulation on port P, discharge in T														
														Coil voltage only for -A - see section 8: - = standard coil for 24V _{DC} Atos drivers 6 = optional coil for 12V _{DC} Atos drivers 18 = optional coil for low current drivers Electronics options only for AEB and AES - see section 9: I = current reference input 4 ÷ 20 mA (omit for standard voltage reference input 0 ÷ 10 V) Q = enable signal Z = double power supply, enable, fault and monitor signals - 12 pin connector
														Max regulated pressure: 500 = 500 bar

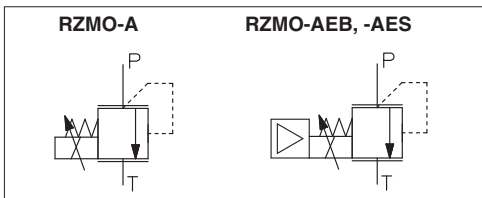
(1) Omit for **A** execution; **AEB** available only in version **NP**; **AES** available only in version **BC, BP, EH**

2 ELECTRONIC DRIVERS

Valve model	A								AEB	AES
	E-MI-AC-01F		E-MI-AS-IR		E-BM-AS-PS		E-BM-AES			
Drivers model	E-MI-AC-01F		E-MI-AS-IR		E-BM-AS-PS		E-BM-AES		E-RI-AEB	E-RI-AES
Type	Analog				Digital					
Voltage supply (V _{DC})	12	24	12	24	12	24	12	24	24	24
Valve coil option	/6	std	/6	std	/6	std	std	std	std	std
Format	plug-in to solenoid		plug-in to solenoid		DIN-rail panel				Integral to valve	
Data sheet	G010		G020		G030		GS050		GS115	

Note: for main and communication connector see sections 11, 12

Hydraulic symbol



3 GENERAL NOTES

RZMO-A* proportional valves are CE marked according to the applicable Directives (e.g. Immunity/Emission EMC Directive and Low Voltage Directive).

Installation, wirings and start-up procedures must be performed according to the general prescriptions shown in table F003 and in the installation notes supplied with relevant components.

4 FIELDBUS - only for AES

Fieldbus allows the direct communication of the proportional valve with machine control unit for digital reference signal, diagnostics and settings of functional parameters. Analog reference signal remain available on the main connector for quick commissioning and maintenance. For detailed information about fieldbus features and specification see tech table **GS510**.

5 MAIN CHARACTERISTICS - based on mineral oil ISO VG 46 at 50 °C

Assembly position / location	Any position			
Subplate surface finishing	Roughness index Ra 0,4 - flatness ratio 0,01/100 (ISO 1101)			
MTTF valves according to EN ISO 13849	150 years, see technical table P007			
Ambient temperature range	A: standard = -20°C ÷ +70°C, AEB, AES: standard = -20°C ÷ +60°C,			
Storage temperature range	A: standard = -20°C ÷ +80°C, AEB, AES: standard = -20°C ÷ +70°C,			
Coil resistance R at 20°C	Standard = 3 ÷ 3,3 Ω	Option /6 = 2 ÷ 2,2 Ω	Option /18 = 13 ÷ 13,4 Ω	
Max. solenoid current	Standard = 2,6 A	Option /6 = 3,25 A	Option /18 = 1,5 A	
Max. power	A = 30 Watt AEB, AES = 50 Watt			
Insulation class	H (180°) Due to the occurring surface temperatures of the solenoid coils, the European standards ISO 13732-1 and EN982 must be taken into account			
Protection degree to DIN EN60529	IP66/67 with mating connectors			
Tropicalization (only AEB, AES)	Tropical coating on electronics PCB			
Duty factor	Continuous rating (ED=100%)			
EMC, climate and mechanical load	See technical table G004			
Communication interface (only AEB, AES)	USB Atos ASCII coding	CANopen EN50325-4 + DS408	PROFIBUS DP EN50170-2/IEC61158	EtherCAT IEC 61158
Communication physical layer (only AEB, AES)	not insulated USB 2.0 + USB OTG	optical insulated CAN ISO11898	optical insulated RS485	Fast Ethernet, insulated 100 Base TX

Max regulated pressure	[bar]	500
Min. regulated pressure	[bar]	10
Max. pressure at port P	[bar]	500
Max. pressure at port T	[bar]	210
Max. flow	[l/min]	3
Response time 0-100% step signal (1) (depending on installation)	[ms]	≤ 70
Hysteresis	[% of the max pressure]	≤ 1,5
Linearity	[% of the max pressure]	≤ 3
Repeatability	[% of the max pressure]	≤ 2

Notes: above performance data refer to valves coupled with Atos electronic drivers, see section 2

(1) Average response time value; the pressure variation in consequence of a modification of the reference input signal to the valve is affected by the stiffness of the hydraulic circuit: greater is the stiffness of the circuit, faster is the dynamic response.

6 SEALS AND HYDRAULIC FLUID - for other fluids not included in below table, consult our technical office

Seals, recommended fluid temperature	NBR seals (standard) = -20°C ÷ +60°C, with HFC hydraulic fluids = -20°C ÷ +50°C FKM seals (/PE option) = -20°C ÷ +80°C		
Recommended viscosity	15÷100 mm ² /s - max allowed range 2.8 ÷ 500 mm ² /s		
Max fluid contamination level	normal operation	ISO4406 class 18/16/13 NAS1638 class 7	see also filter section at www.atos.com or KTF catalog
	longer life	ISO4406 class 16/14/11 NAS1638 class 5	
Hydraulic fluid	Suitable seals type	Classification	Ref. Standard
Mineral oils	NBR, FKM	HL, HLP, HLPD, HVLP, HVLPD	DIN 51524
Flame resistant without water	FKM	HFDU, HFDR	ISO 12922
Flame resistant with water	NBR	HFC	

7 DIAGRAMS (based on mineral oil ISO VG 46 at 50 °C)

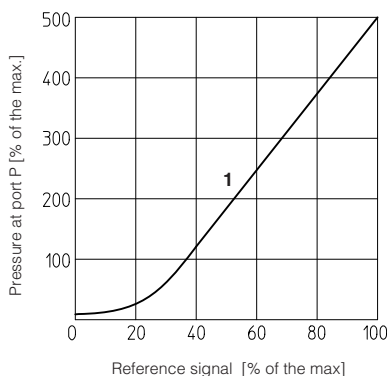
7.1 Regulation diagrams

with flow rate $Q = 1 \text{ l/min}$

1 = 11*106 RZMO-*-010/500

Note:

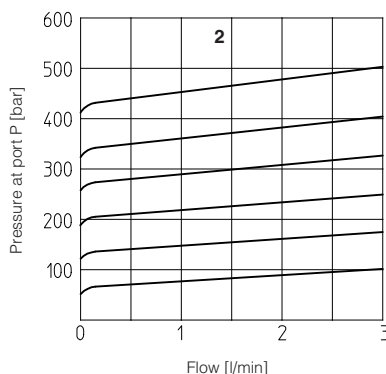
The presence of counter pressure at port T can affect the effective pressure regulation.



7.2 Pressure/flow diagrams

with reference signal set at $Q = 1 \text{ l/min}$

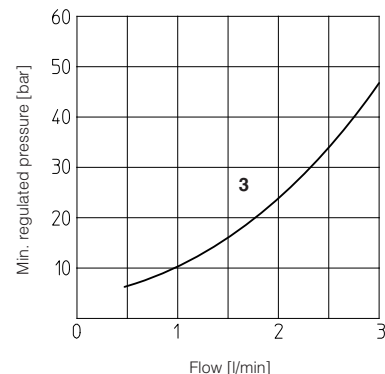
2 = 11*106 RZMO-*-010/500



7.3 Min. pressure/flow diagrams

with zero reference signal

3 = 11*106 RZMO-*-010/500



8 OPTIONS for -A

8.1 Coil voltage

Option /6 optional coil to be used with Atos drivers with power supply 12 Vdc

Option /18 optional coil to be used with electronic drivers not supplied by Atos

9 ELECTRONIC OPTIONS - for AEB and AES

Standard driver execution provides on the 7 pin main connector:

Power supply - 24Vdc must be appropriately stabilized or rectified and filtered; a 2.5 A fuse time lag is required in series to each driver power supply. Apply at least a 10000 $\mu\text{F}/40 \text{ V}$ capacitance to single phase rectifiers or a 4700 $\mu\text{F}/40 \text{ V}$ capacitance to three phase rectifiers

Reference input signal - analog differential input with $0 \div +10 \text{ Vdc}$ nominal range (pin D,E), proportional to desired valve pressure regulation

Monitor output signal - analog output signal proportional to the actual valve's coil current (1V monitor = 1A coil current)

Note: a minimum booting time of 500 ms has been considered from the driver energizing with the 24 Vdc power supply before the valve has been ready to operate. During this time the current to the valve coils is switched to zero.

9.1 Option /I

It provides $4 \div 20 \text{ mA}$ current reference signal, instead of the standard $0 \div +10 \text{ Vdc}$.

Input signal can be reconfigured via software selecting between voltage and current, within a maximum range of $\pm 10 \text{ V}$ or $\pm 20 \text{ mA}$.

It is normally used in case of long distance between the machine control unit and the valve or where the reference signal can be affected by electrical noise; the valve functioning is disabled in case of reference signal cable breakage

9.2 Option /Q

To enable the driver, supply 24 Vdc on pin C referred to pin B: Enable input signal allows to enable/disable the current supply to the solenoid, without removing the electrical power supply to the driver; it is used to maintain active the communication and the other driver functions when the valve has to be disabled. This condition does not comply with European Norms EN13849-1 (ex EN954-1).

9.3 Option /Z

It provides, on the 12 pin main connector, the following additional features:

Enable Input Signal

To enable the driver, supply 24 Vdc on pin 3 referred to pin 2: Enable input signal allows to enable/disable the current supply to the solenoid, without removing the electrical power supply to the driver; it is used to maintain active the communication and the other driver functions when the valve has to be disabled. This condition does not comply with European Norms EN13849-1 (ex EN954-1).

Fault Output Signal

Fault output signal indicates fault conditions of the driver (solenoid short circuits/not connected, reference signal cable broken for $4 \div 20 \text{ mA}$ input, etc.). Fault presence corresponds to 0 VDC, normal working corresponds to 24 Vdc (pin 11 referred to pin 2): Fault status is not affected by the Enable input signal

Power supply for driver's logics and communication

Separate power supply (pin 9,10) allow to cut solenoid power supply (pin 1,2) while maintaining active diagnostics, serial and fieldbus communication. A safety fuse is required in series to each driver power supply: 500 mA fast fuse.

9.4 Possible combined options: /IQ, /IZ

10 ELECTRONIC CONNECTIONS

10.1 Main connector signals - 7 pin - standard and /Q option - RZMO-AEB and RZMO-AES (A1)

PIN	Standard	/Q	TECHNICAL SPECIFICATIONS	NOTES
A	V+		Power supply 24 Vdc Rectified and filtered: $V_{RMS} = 20 \div 32 V_{MAX}$ (ripple max 10 % V_{PP})	Input - power supply
B	V0		Power supply 0 Vdc	Gnd - power supply
C	AGND		Analog ground	Gnd - analog signal
		ENABLE	Enable (24 Vdc) or disable (0 Vdc) the driver, referred to V0	Input - on/off signal
D	INPUT+		Pressure reference input signal: $\pm 10 Vdc$ / $\pm 20 mA$ maximum range Defaults are 0 \div 10 Vdc for standard and 4 \div 20 mA for /I option	Input - analog signal Software selectable
E	INPUT-		Negative reference input signal for P_INPUT+	Input - analog signal
F	MONITOR referred to: AGND V0		Pressure monitor output signal: $\pm 5 Vdc$ maximum range Default is 0 \div 5 Vdc (1V = 1A)	Output - analog signal Software selectable
G	EARTH		Internally connected to driver housing	

10.2 Main connector signals - 12 pin - /Z option - RZMO-AEB and RZMO-AES (A2)

PIN	/Z	TECHNICAL SPECIFICATIONS	NOTES
1	V+	Power supply 24 Vdc Rectified and filtered: $V_{RMS} = 20 \div 32 V_{MAX}$ (ripple max 10 % V_{PP})	Input - power supply
2	V0	Power supply 0 Vdc	Gnd - power supply
3	ENABLE	Enable (24 Vdc) or disable (0 Vdc) the driver, referred to V0	Input - on/off signal
4	INPUT+	Pressure reference input signal: $\pm 10 Vdc$ / $\pm 20 mA$ maximum range Defaults are 0 \div 10 Vdc for standard and 4 \div 20 mA for /I option	Input - analog signal Software selectable
5	INPUT-	Negative reference input signal for P_INPUT+	Input - analog signal
6	MONITOR	Pressure monitor output signal: $\pm 5 Vdc$ maximum range Defaults is 0 \div 5 Vdc (1V = 1A)	Output - analog signal Software selectable
7	NC	Do not connect	
8	NC	Do not connect	
9	VL+	Power supply 24 Vdc for driver's logic and communication	Input - power supply
10	VLO	Power supply 0 Vdc for driver's logic and communication	Gnd - power supply
11	FAULT	Fault (0 Vdc) or normal working (24 Vdc), referred to V0	Output - on/off signal
PE	EARTH	Internally connected to driver housing	

10.3 Communication connectors - RZMO-AEB (B) and RZMO-AES (B) (C)

(B) USB connector - M12 - 5 pin always present		
PIN	SIGNAL	TECHNICAL SPECIFICATION (1)
1	+5V_USB	Power supply
2	ID	Identification
3	GND_USB	Signal zero data line
4	D-	Data line -
5	D+	Data line +

(C1) BC fieldbus execution, connector - M12 - 5 pin (2)		
PIN	SIGNAL	TECHNICAL SPECIFICATION (1)
1	CAN_SHLD	Shield
2	NC	do not connect
3	CAN_GND	Signal zero data line
4	CAN_H	Bus line (high)
5	CAN_L	Bus line (low)

(C2) BP fieldbus execution, connector - M12 - 5 pin (2)		
PIN	SIGNAL	TECHNICAL SPECIFICATION (1)
1	+5V	Termination supply signal
2	LINE-A	Bus line (high)
3	DGND	Data line and termination signal zero
4	LINE-B	Bus line (low)
5	SHIELD	

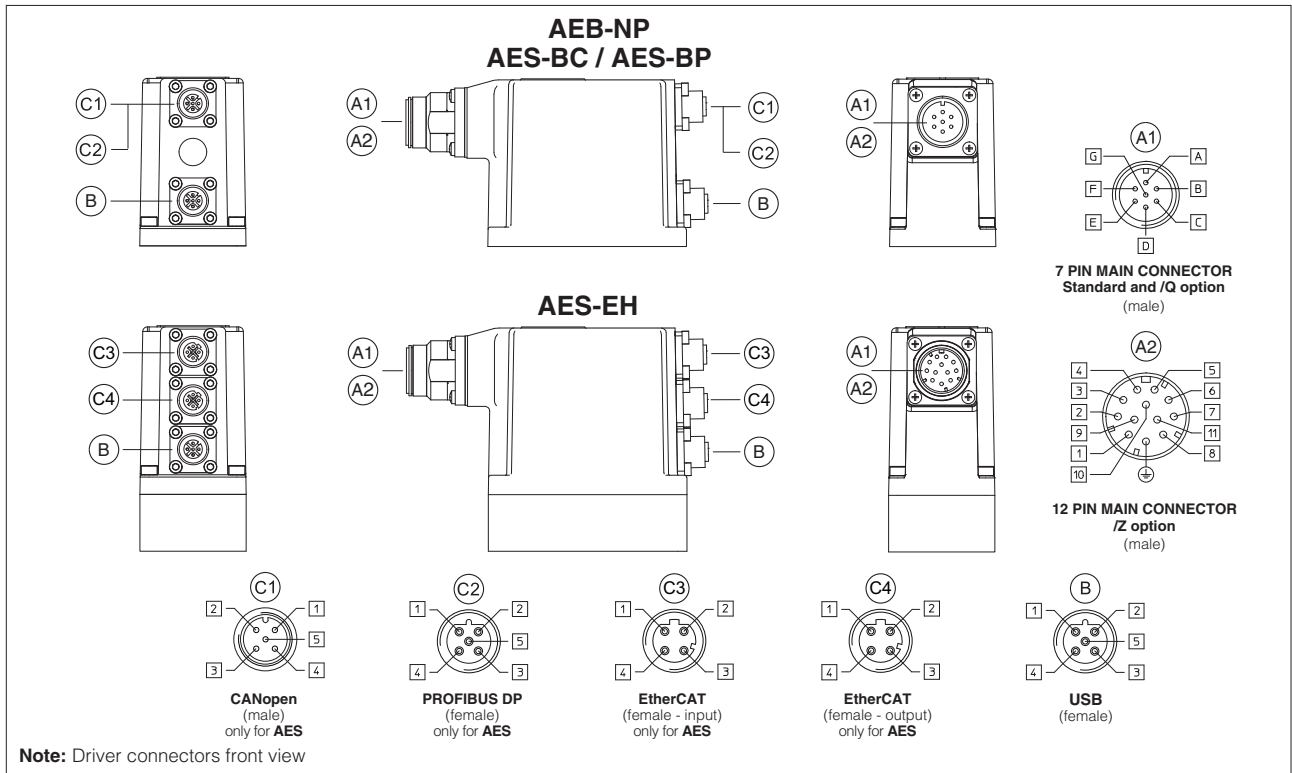
(C3) (C4) EH fieldbus execution, connector - M12 - 4 pin (2)		
PIN	SIGNAL	TECHNICAL SPECIFICATION (1)
1	TX+	Transmitter
2	RX+	Receiver
3	TX-	Transmitter
4	RX-	Receiver
Housing	SHIELD	

Notes: (1) shield connection on connector's housing is recommended (2) only for AES execution

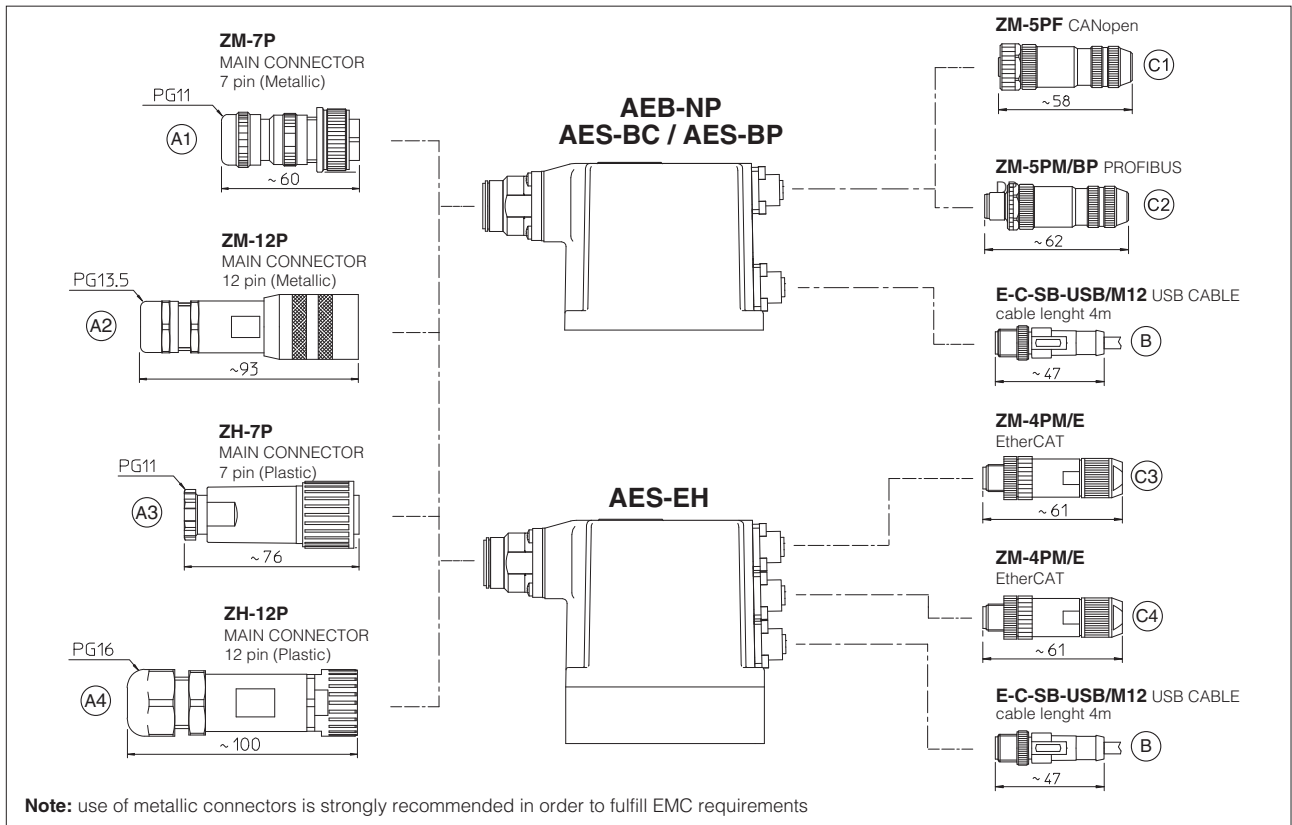
10.4 Solenoid connection - only for RZMO-A

PIN	SIGNAL	TECHNICAL SPECIFICATION	Connector code 666
1	COIL	Power supply	
2	COIL	Power supply	
3	GND	Ground	

10.5 Connections layout - only for AEB and AES



11 CONNECTORS



12 MODEL CODES OF MAIN CONNECTORS AND COMMUNICATION CONNECTORS - to be ordered separately

VALVE VERSION	A (1) Power supply	AEB AES	AEB/Z AES/Z	BC - CANopen	BP - PROFIBUS DP	EH - EtherCAT
CONNECTOR CODE	666	ZM-7P (A1)	ZM-12P (A2)	ZM-5PF (C1)	ZM-5PM/BP (C2)	ZM-4PME (C3)
		ZH-7P (A3)	ZH-12P (A4)			ZM-4PME (C4)
PROTECTION DEGREE	IP67	IP67				
DATA SHEET	K500	GS115, K500				

(1) Connectors supplied with the valve

only for AES

13 PROGRAMMING TOOLS - see tech table **GS500**

Valve's functional parameters and configurations, can be easily set and optimized using Atos E-SW programming software connected via USB port to the digital driver. For fieldbus versions, the software permits valve's parameterization through USB port also if the driver is connected to the central machine unit via fieldbus.

The software is available in different versions according to the driver's options:

E-SW-BASIC support: NP (USB) PS (Serial) IR (Infrared)

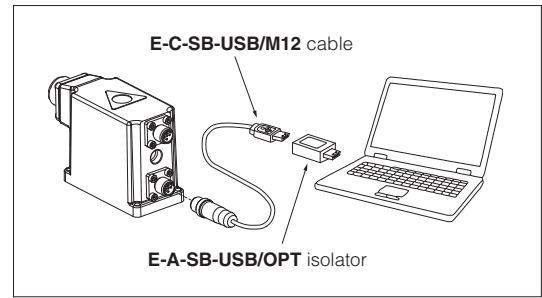
E-SW-FIELDBUS support: BC (CANopen) BP (PROFIBUS DP) EH (EtherCAT)
EW (POWERLINK) EI (EtherNet/IP)

E-SW-*/PQ support: valves with SP, SF, SL alternated control (e.g. E-SW-BASIC/PQ)

WARNING: drivers USB port is not isolated!

The use of isolator adapter is highly recommended for PC protection (see table **GS500**)

USB connection



14 INSTALLATION DIMENSIONS [mm]

ISO 4401: 2005

Mounting surface:

4401-03-02-0-05 (see table P005)
(without ports A and B)

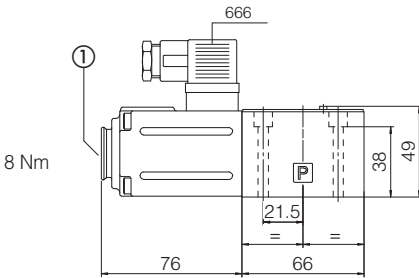
Fastening bolts:

4 socket head screws

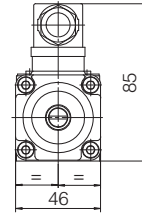
M5X50 class 12.9 Tightening torque = 8 Nm

Seals: 2 OR 108

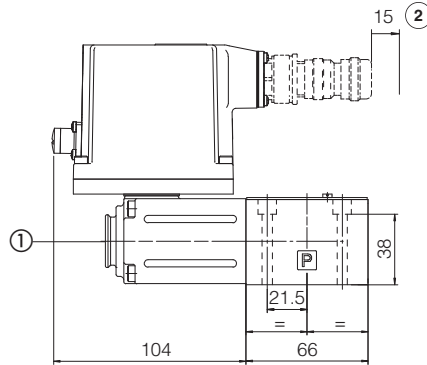
Ports P, T: $\varnothing = 5$ mm



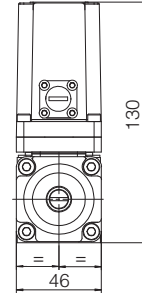
RZMO-A



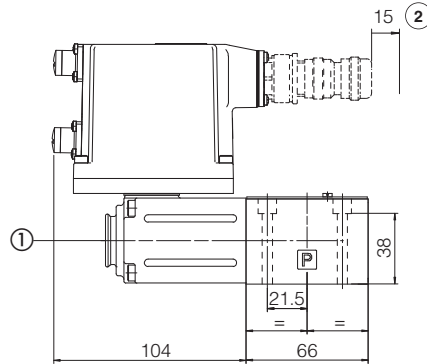
Mass: 1,8 Kg



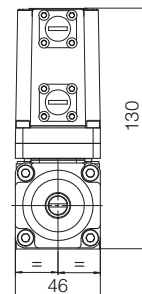
RZMO-AEB



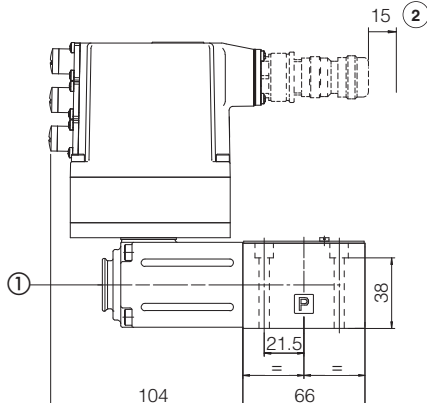
Mass: 2,3 Kg



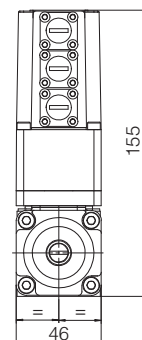
**RZMO-AES-BP
RZMO-AES-BC**



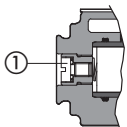
Mass: 2,3 Kg



RZMO-AES-EH



Mass: 2,4 Kg



- ① = Screw for air bleeding: at the first valve commissioning the air eventually trapped inside the solenoid must be bled-off through the screw ①
- ② = Space to remove the 7 or 12 pin main connector. For main and communication connectors see section 11, 12