

VT6DDS - 038 - 028 - 1 R 00 - A 1 - 00 \*

**Series - SAE C 6 bolts**  
Mounting flange J744c

**Cam ring for "P1" & "P2"**

Volumetric displacement cm<sup>3</sup>/rev (in<sup>3</sup>/rev)

*014/B14 = 47.6 (2.90)	035/B35 = 111.0 (6.77)
017/B17 = 58.2 (3.55)	038/B38 = 120.3 (7.34)
020/B20 = 66.0 (4.03)	042/B42 = 136.0 (8.30)
024/B24 = 79.5 (4.85)	045/B45 = 145.7 (8.89)
028/B28 = 89.7 (5.47)	050/B50 = 158.0 (9.64)
031/B31 = 98.3 (6.00)	061/B61 = 190.5 (11.62)

\*'0' - Uni - directional    'B' - Bi - directional

**Type of Shaft**

- 1 - Keyed (SAE C)
- 2 - Keyed (SAE CC)
- 3 - Splined (SAE C)
- 4 - Splined (SAE BB)
- 5 - Keyed (non SAE)

**Modifications**

**Mounting W/connection variables**  
SAE 4 bolt flange (J518c)

VT6DDS	P1 & P2=1-1/4"	S=4"
	UNC	METRIC
	00	M0

**Seal class**

- 1 - S1 (for mineral oil)
- 4 - S4 (for fire resistant fluids)
- 5 - S5 (for mineral oil and fire resistant fluids)

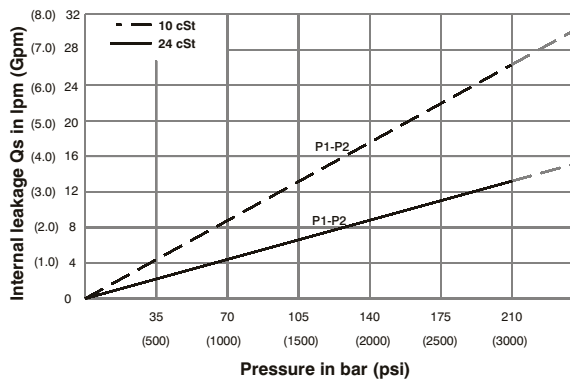
**Design letter**

**Porting combination** (see page BM-1-5)  
(00 = Standard)

**Direction of rotation**  
(view on shaft end)

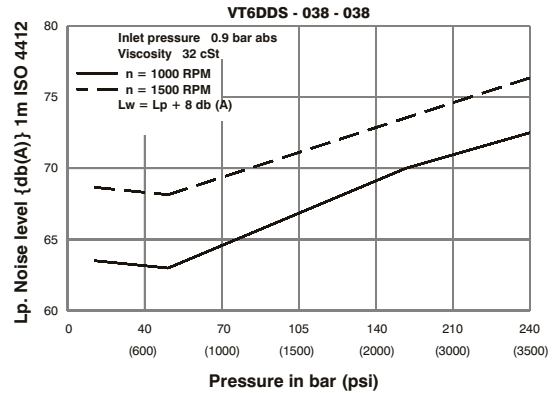
- R - Clockwise
- L - Counter - clockwise

**INTERNAL LEAKAGE (TYPICAL)**



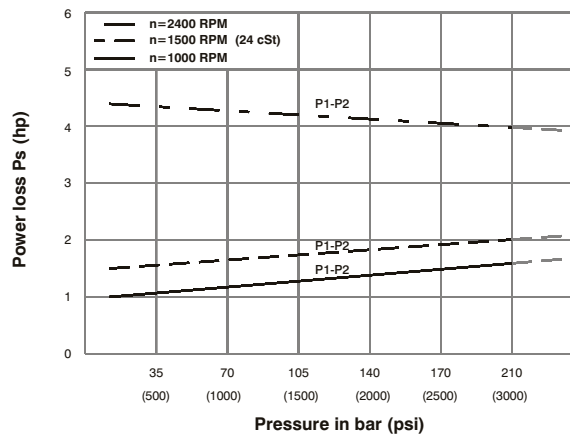
Do not operate pump more than 5 seconds at any speed or viscosity if internal leakage is more than 50% of theoretical flow. Total leakage is the sum of each section loss at its operating conditions.

**NOISE LEVEL (TYPICAL)**



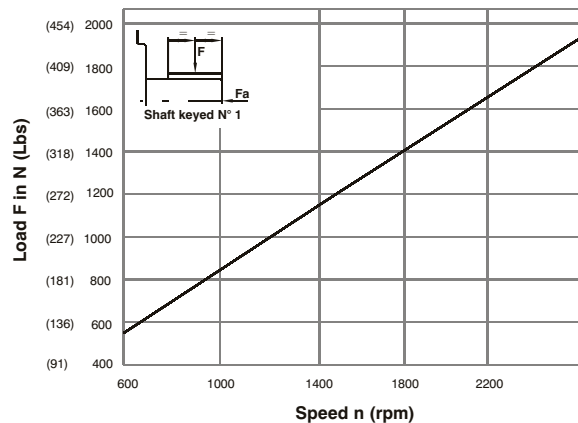
Double pump noise level is given with each section discharging at the pressure noted on the curve.

**HYDROMECHANICAL POER LOSS (TYPICAL)**



Total hydromechanical power loss is the sum of each section at its operating conditions.

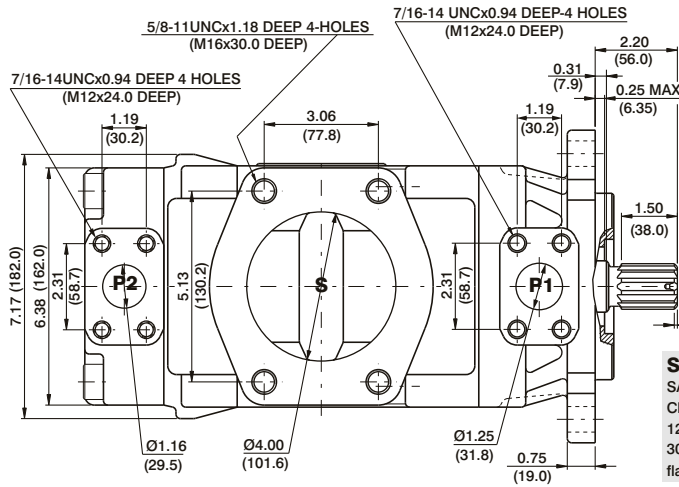
**PERMISSIBLE RADIAL LOAD**



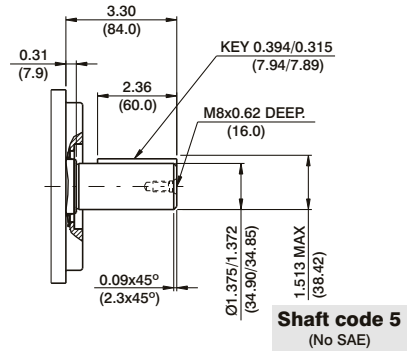
Maximum permissible axial load  $F_a = 1200 \text{ N (270 Lbs)}$



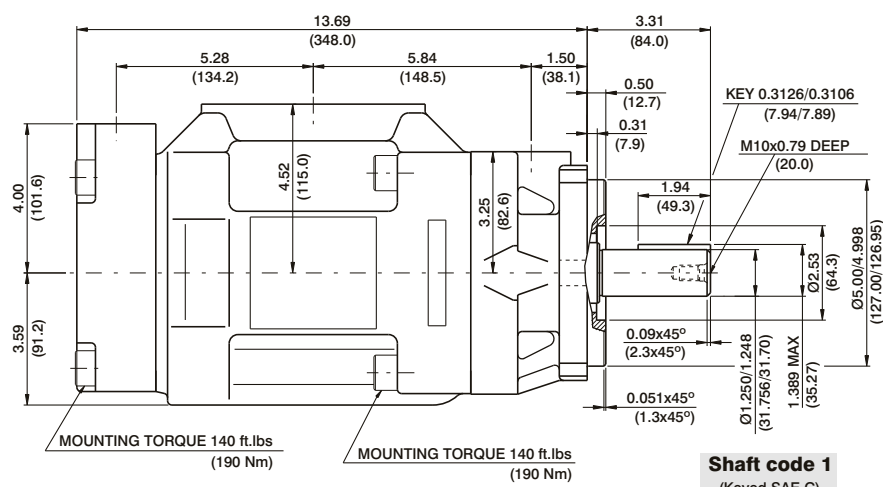
DP



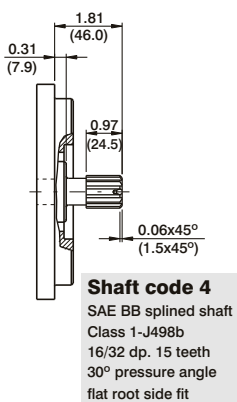
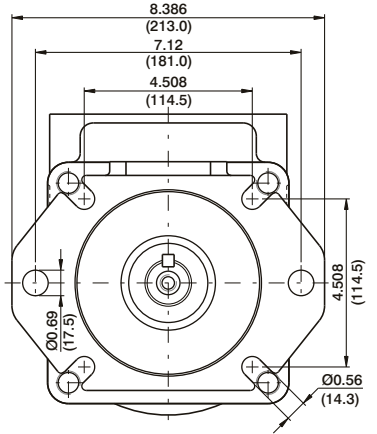
**Shaft code 3**  
SAE C splined shaft  
Class 1-J498b  
12/24 dp. 14 teeth  
30° pressure angle  
flat root side fit



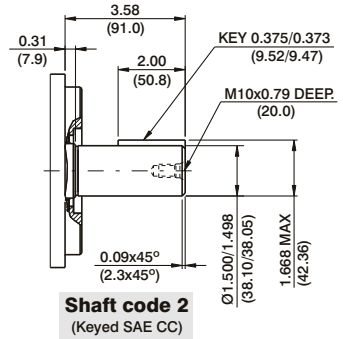
**Shaft code 5**  
(No SAE)



**Shaft code 1**  
(Keyed SAE C)



**Shaft code 4**  
SAE BB splined shaft  
Class 1-J498b  
16/32 dp. 15 teeth  
30° pressure angle  
flat root side fit



**Shaft code 2**  
(Keyed SAE CC)

Shaft torque limits in <sup>3</sup> /rev x psi (ml/rev x bar)	
Shaft	Vp x p max. (P1+P2)
1	38299 (43240)
3	54152 (61200)
4	31780 (35880)
5	40035 (55600)

## OPERATING CHARACTERISTICS - TYPICAL (24 cST) (Input power p (KW) for one cartridge only)

Pressure port	Series	Volumetric Displacement Vp		Flow q & n = 1500 rpm						Input power p & n = 1500 rpm					
		p = 0 bar (0 psi)		p = 140 bar (2000 psi)		p = 240 bar (3500 psi)		p = 7 bar (100 psi)		p = 140 bar (2000 psi)		p = 240 bar (3500 psi)			
		in <sup>3</sup> /rev	cm <sup>3</sup> /rev	gpm	lpm	gpm	lpm	gpm	lpm	hp	kw	hp	kw		
P1 & P2	014	2.90	47.6	18.88	71.4	16.42	62.1	14.78	55.9	3.08	2.3	24.81	18.5	41.03	30.6
	017	3.55	58.2	23.1	87.3	20.6	78.0	18.99	71.8	3.35	2.5	29.77	22.2	49.62	37.0
	020	4.00	66.0	26.19	99.0	23.73	89.7	22.08	83.5	3.75	2.8	33.39	24.9	55.92	41.7
	024	4.80	79.5	31.56	119.3	29.10	110.0	27.46	103.8	4.02	3.0	39.69	29.6	66.78	49.8
	028	5.50	89.7	35.58	134.5	33.12	125.2	31.48	119.0	4.29	3.2	44.52	33.2	74.96	55.9
	031	6.00	98.3	39.00	147.5	36.53	138.1	34.89	131.9	4.42	3.3	48.54	36.2	81.80	61.0
	035	6.80	111.0	44.04	166.5	41.58	157.2	39.94	151.0	4.69	3.5	54.58	40.7	92.13	68.7
	038	7.30	120.3	47.72	180.4	45.26	171.1	43.62	164.9	4.96	3.7	58.87	43.9	99.64	74.3
	042 <sup>1)</sup>	8.30	136.0	53.96	204.0	51.50	194.7	49.86	188.5	5.36	4.0	66.25	49.4	112.24	83.7
	045 <sup>1)</sup>	8.89	145.7	57.80	218.5	55.34	209.2	53.70	203.0	5.50	4.1	70.81	52.8	120.02	89.5
	050 <sup>1,2)</sup>	9.64	158.0	62.69	237.0	60.23	227.7	59.25	224.0	5.90	4.4	76.44	57.0	113.98	85.0
	061 <sup>1,3)</sup>	11.62	190.5	76.25	285.7	73.54	278.0	--	--	6.16	4.6	81.26	60.6	--	--

1) 042-045-050-061=2200 RPM max.

2) 050=210 bar (3000 psi) max.

3) 061 = 120 bar (1740 psi) max. int. 061 = 80 bar (1160 psi) cont.